

**LoRaWAN Ex d APPROVED HYDROGEN SULFIDE H2S GAS SENSOR WSLRWEX-G-H2S**



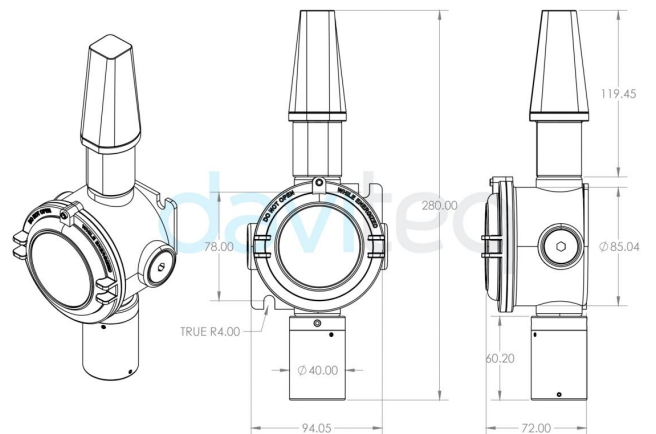
WSLRWEX-G-H2S-H1.JPG

K G@F K 9L!; !<&G ]g U @cF UK 5B gYbgcf k ]h 9I X YI d`cg]cb! dfccZUddfcj U`z Vta Yg k ]h U Vi ]h]b \[ \!dYfZcfa UbWV gYbgcf tc XYHYVh hY <mXfc[ Yb Gi `ZXY <&G [ Ug VcbWbhfU]cb ]b hY U]F" K ]h I `hfU`ck !dck Yf XYg][ b UbX ga UfhZfa k UfY U`ck hY Vta d`YH K ]fY`Ygg UbX GYbgcf dUWU[ Y hc fi b cb U g]b[ Y VUHYfmhmdY 8 Zcf ) mYUfg cfa cfY k ]h %) a ]bi hY i dXUHY" h gi ddcftg [ `cVU` ZYei YbVh VUbXg 9I , \* , z -B, \*) z FI , \*( z ?F - &\$z 5G- & z 5G- &! z 5I - %) z I G- %) " H\Y gYbgcf WUb k cf\_`dYfZYWimk ]h Ubm@cF UK 5B` ; UHYk Umc b`hY`a Uf\_YH

Hmd]WU` Udd`]WU]hcbg. XYHYVh <&G [ Ug ]b k UghYk UHYf hfYUha Ybh gmghYa gZ]bXi ghf]U` gmghYa gZc]` fY ZbYf]Yg`""

- ✓ @CF5K 5B`7CA A I B`75HCB  
Gi ddcfi@cF UK 5B`7`Ugg`5zVcbbYWhc`Ubm@cF UK 5B  
[ UHYk Umc b`hY`a Uf\_Yh
- ✓ < z < `D9F : CFA 5B79`G9BGCF  
8Y`j] Yf`ghUVY`ci hdi hUbX`fY`jUVY
- ✓ A CF 9`H<5B`) `M95F G`65HH9F M@z 9  
I `hfU`ck `dck Yf`gYbgcf`hYVWbc`c[ mU`ck `) !mYUf`VUHYfm`]Z  
k ]h `U`g]b[ `Y`g]nY`8`VUHYfm
- ✓ D@ ; / `D@5M  
H\Y`gYbgcf ]g`hYghYX`UbX`dfY!VcbZ[ i fYX`]b`ZUWc`fmVYzcfY  
g\]dd]b[ "

**DIMENSION DRAWING OF WIRELESS SENSOR (Unit: mm)**



WSLRWEX-G-H2S-H2.JPG

## SPECIFICATION

Measurement technology	High-performance electrochemical
Measurement Range	0-100 ppm
Maximum Overload	200 ppm
Max response time (T90)	< 25s
Resolution	0.01 ppm
Repeatability	< 2% of reading value
Drift	< 2% of reading value per month
Sensor life	2 years in clean air
Sensor Operating Temperature Range	-40 to 50 °C
Operating Pressure	atmosphere +/- 10%
Operating Humidity Range	15 - 90% RH, non-condensing
Data rate	250bps .. 5470bps
Antenna Antenna	2.67 dbi
RF Frequency and Power	860..930 MHz, +14 .. +20 dBm, configurable for zones: EU868, IN865, RU864, KR920, AS923, AS923-2, AU915, US915
Protocol	LoRaWAN Class A
Data sending modes	interval time, an alarm occurred and manually triggered by a magnetic key. Recommend max 24 messages per day
Configuration	via offline USB cable (PC software is supplied for free)
Battery	01 x D type LiSOC12 3.6V battery
Housing	Fire retardant GFP, IP66
Ex Certification	IMQ 14 ATEX 005 X, TÜV CY 18 ATEX 0206158 X and IECEx DEK 15.0048X
Hazardous Protection Marking	ATEX II 2G Ex db IIC T4 Gb and ATEX II 2D Ex tb IIIC T135°C Db
Ambient working temperature	-40°C to +85°C
Standards	IEC EN 60079-0, IEC EN 60079-7 and IEC EN 60079-31
Applicable Zones	Zone 1 & 2 gas hazardous areas Zone 21 & 22 hazardous areas which contain conductive combustible dust
Dimensions	H170xW122xD77
Net-weight	~ 1100 grams (without battery)
Mounting	Wall mount bracket

## ORDERING INFORMATION

WSLRWEX-G-H2S-100

LORAWAN H2S GAS SENSOR, 0-100PPM, EX D APPROVED ZONES 1-2-21-22, BATTERY 3.6V, IP66,  
FOR EU868, IN865, RU864, KR920, AS923, AS923-2, AU915, US915

## DAVITEQ TECHNOLOGIES INC

No.11 Street 2G, Nam Hung Vuong Res., An Lac Ward, Binh Tan Dist., Ho Chi Minh City, Vietnam  
+84.28.6268.2523 / 6268.2524  
info@daviteq.com

[www.daviteq.com](http://www.daviteq.com)

DEC-2021 | Doc No: WSLRWEX-G-H2S-DS-EN-10