

# LORAWAN NODE WITH DIGITAL INPUT EX D APPROVED

## LoRaWAN NODE WITH DIGITAL INPUTS WSLRWEX-DI

LoRaWAN



WSLRWEX-DI-H1.JPG

WSLRWEX-DI is a LoRaWAN Node with Ex d explosion-proof approval and comes with 02 digital inputs for detecting the status of the pump, valve...or counting pulses from the flow meter, energy meter... Ultra-low-power design and smart firmware allow the device to run on a single battery type C for 5 years or more with 10 minutes update. It supports global frequency bands EU868, IN865, RU864, KR920, AS923, AS923-2, AU915, and US915. The sensor can work perfectly with any LoRaWAN Gateway on the market.

Typical applications: detecting the status of the pump, valve...or counting pulses from the flow meter, energy meter...

- ✔ **LORAWAN COMMUNICATION**  
Support LoRaWAN Class A, connect to any LoRaWAN gateway on the market
- ✔ **EXPLOSION-PROOF APPROVED**  
ATEX approval for Ex d IIC
- ✔ **MORE THAN 5 YEARS BATTERY LIFE**  
Ultra-low power technology allows 5-year battery life with a single size C battery
- ✔ **PLUG & PLAY**  
The sensor is tested and pre-configured in factory before shipping.

## WIRELESS NODE CONNECTED WITH ExD LIMIT SWITCH



WSLRWEX-DI-H2.JPG

**SPECIFICATION**

Digital Inputs	2-channel dry contact or low voltage ( $\leq 3.3V$ )
Operation	Detecting status or Pulse counting (2Hz max)
Communication	LoRaWAN Class A, V1.0.3
Data rate	250bps .. 5470bps
Antenna	External Antenna
RF Frequency and Power	860..930 MHz, +14 .. +20 dBm, configurable for zones: EU868, IN865, RU864, KR920, AS923, AS923-2, AU915, US915
Data sending modes	interval time, or when status changes, or manually triggered by a magnetic key.
Configuration	via Downlink or offline USB cable (PC software is supplied for free)
Battery	01 x C type LiSOC12 3.6V battery, not included (recommend SAFT LS26500)
Housing	Cast aluminum, IP66
Ex Certification	IMQ 14 ATEX 005 X, TÜV CY 18 ATEX 0206158 X and IECEx DEK 15.0048X
Hazardous Protection Marking	ATEX II 2G Ex db IIC T4 Gb and ATEX II 2D Ex tb IIIC T135°C Db
Standards	IEC EN 60079-0, IEC EN 60079-7 and IEC EN 60079-31
Applicable Zones	Zone 1 & 2 gas hazardous areas Zone 21 & 22 hazardous areas which contain conductive combustible dust
Ambient working temperature	-40°C to +85°C (use with SAFT LS26500)
Dimensions	H100xW100xD80 (excluded antenna)
Net-weight	~ 1500 grams (without battery)
Mounting	Wall mount bracket

**WIRELESS NODE WITH INTEGRATED ExD PRESSURE SWITCH**



WSLRWEX-DI-H3.JPG

**WIRELESS NODE WITH ExD TEMPERATURE SWITCH**



Integrated Type

Remote Type

WSLRWEX-DI-H4.JPG

WIRELESS NODE WITH  
ExD MAGNETIC PROXIMITY SENSOR



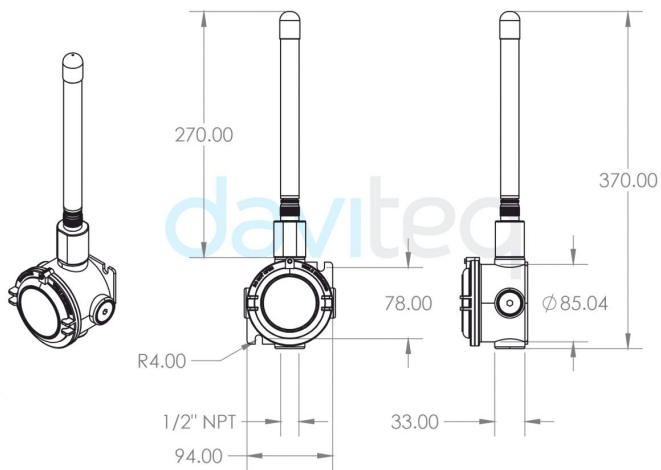
WSLRWEX-DI-H5.JPG

WIRELESS NODE WITH ExD FLOW SWITCH



WSLRWEX-DI-H6.JPG

DIMENSION DRAWING OF WSLRWEX-DI  
(Unit: mm)



WSLRWEX-DI-H7.JPG

RECOMMENDED BATTERIES FOR LoRaWAN SENSOR

LS 26500 Lithium battery



-60°C..+85°C working temperature

Low self-discharge rate

7.7 Ah Capacity

WSLRWEX-DI-H8.JPG

## ORDERING INFORMATION

WSLRWEX-DI-12

LORAWAN NODE WITH DIGITAL INPUTS, EX D APPROVED ZONES 1-2-21-22, BATTERY 3.6V, IP66,  
2-CHANNEL DRY-CONTACT OR VOLTAGE INPUT MAX 3.3VDC, LOGIC DETECTING OR PULSE  
COUNTING MAX 2HZ